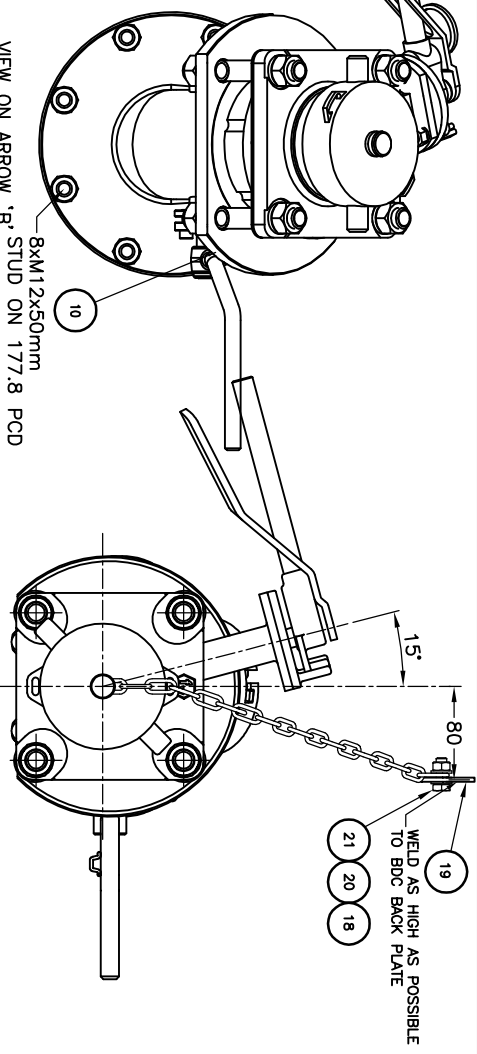


FOR UNCLAD TANKS DO NOT FIT ITEM 19  
 FIT ITEM 18 AROUND ITEM 12 BETWEEN FLANGES.

GENERIC/UNIVERSAL/LCD-ISO TANKS - 800mm WIDE BOX

POSITION	LENGTH
1.) BDC Cap onto Spigot Flange	160mm
2.) BDC Cap to Backplate above Valve	330mm
3.) BDC Cap to Left Hand side of Bottom Mount	490mm
4.) BDC Cap to Backplate above Valve, to Spigot on LHS of Bottom Mount	490mm



ITEM	QTY	DESCRIPTION	UNIT	PROJECTION	SCALE	DRAWN	CHECKED	DATE	APPR.	Var.
21	1	BOLT, HEX - M6X20MM	20	6	S/S	M06020BLT-S				0.0
20	2	WASHER, FLAT - M6X1.6MM			S/S	M06016WSF-S				0.0
19	1	BRK. FASTENING, EARTH, Ø9	42	30	3MM, S/S 304L	SH10000JFD-A				0.0
18	1	NUT, HEX - M6			S/S	M06000NUT-S				0.0
17	1	WASHER, FLAT - M4.3X2MM, OD 16MM			S/S	M04310WSF-S				0.0
16	1	RAM, CHN - Ø3X22X12X200M	160	12	Ø3, S/STEEL	RAM2123CHN-S				0.0
15	2	STUD, HALF - M16X125MM	125		S/S	M16125STH-S				0.0
14	8	WASHER, SPRING - M16X4MM			S/S	M16040WSS-S				0.0
13	8	WASHER, SPRING - M12X3MM			S/S	M12030WSS-S				0.0
12	2	STUD, HALF - M16X120MM	120		S/S	M16120STH-S				0.0
11	7	STUD, HALF - M12X50MM	50		S/S	M12050STH-S				0.0
10	1	STUD, HALF - M12X45MM	45		S/S	M12045STH-S				0.0
9	1	ANG. CAS - 3" BSP WITH CHAIN PILLAR Ø4MM			S/S 316L	ANC0003CAS-B				0.3
8	8	NUT, HEX - M16			S/S	M16000NUT-S				0.0
7	8	NUT, HEX - M12			S/S	M12000NUT-S				0.0
6	1	GAS, CAF - Ø203xØ114x2.5mm	2	203	2.5MM, CAF/PTEE	GAS0004CAF-A				0.1
5	1	GAS, CAF - Ø142xØ86x2.5mm	2	142	2.5MM, CAF	GAS0045CAF-A				0.1
4	1	GAS, CAF - Ø142xØ72x2.5mm	2	142	2.5MM, CAF/PTEE	GAS0035CAF-A				0.1
3	1	BDC, FVL - 3" HL, 45-826/1200			S/S 316L	BDC0001FVL-A				0.0
2	1	BUT, FVL - 3", 368/7000B, CLAMP TYPE			S/S 316L	BUT0000FVL-A				0.0
1	1	ADAPTOR, SQUARE, 3", 160PCD, BSP	45	88	45MM, S/S 316L	FLN0000BDC-B				0.0

ITEM	QTY	DESCRIPTION	UNIT	PROJECTION	SCALE	DRAWN	CHECKED	DATE	APPR.	Var.
1	1	ADAPTOR, SQUARE, 3", 160PCD, BSP	45	88	45MM, S/S 316L	FLN0000BDC-B				0.0

REVISIONS	DATE	REVISIONS
1	07/12/07	ISO, octonick updated.
2	14/06/08	Item 18 was M06000ZCR-A, Item 20 and 21 added
3	12/02/08	Note added for unclad tanks.
4	07/09/08	Item 9 was A & 17, 18 & 19 was added

DESCRIPTION:  
 BOTTOM DISCH - 3" x 4.5" FVL, HL, BUT, BSP  
 368/700B, 3mm CHAIN, CAF

**Weifit Oddy**

DRAWING NR:  
 BDC0008JF0999-H

FORMAT: A3H